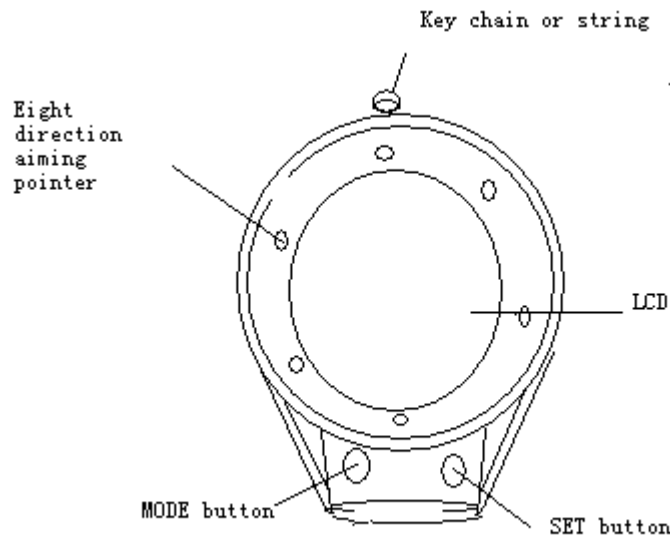


Instructions:



Use before:

Pls draw out the plastic piece before using the device. Then the device will enter into "calibration mode".The operation should be done according to the below steps.

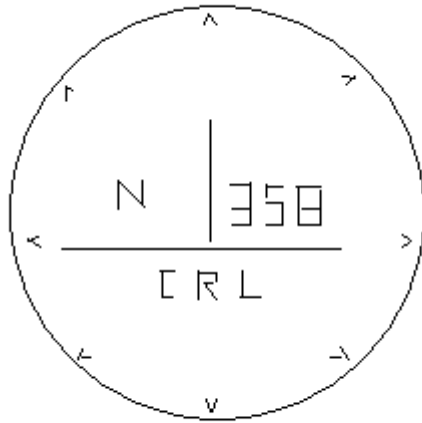
Operation:

A) Compass calibration mode

1.When battery is replaced,the device will enter into "calibration mode"the LCD will display "CAL",indicating the calibratin mode.At this time, keep the device parallel with ground.And you can press any button to start the calibration.(Attention:Do not enter into other mode before completing the calibration at this time.)Later ,if you want to enter into"calibration mode",you can press the "MODE"button and hold two seconds to enter into"User mode",then press the "MODE"button to enter into "Calibration mode"(Please look the operation in el).The LCD will display "CAL",indicating the calibration mode.

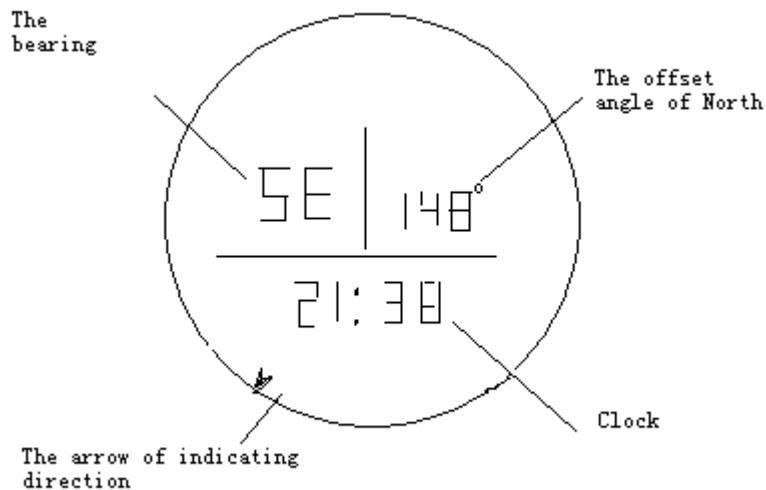
2.please place the digital compass on the flat of your hand with the face pointed upwards.Keep you hand parallel to the ground and turn the compass one complete revolution slowly(It is probably easier to turn your body rather than your hand).At this time,these arrows of indicating eight direction will be displayed on the LCD one by one.If all the eight arrows are dilplayed completely,indicate this is a good calibration.If not,you must do it repeatedly until all the eight arrows are displayed completely.

3.Once the calibration procedure has been completed,the display will show the directional bearings;then device will swith into "Compass mode"automatically.



B) Compass mode

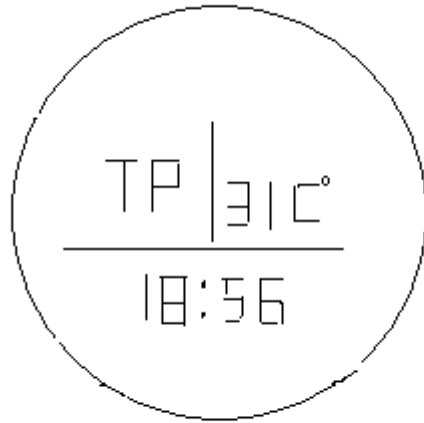
Press the "MODE" button to enter into "Compass mode". The LCD will display the bearing, the needle of compass, the offset angle of North and clock. When you turn around the digital compass, the angle will change from 0° to 359° . When the angle display is 0° , it shows that the digital compass points to the North rightly. The device will only stay in "Compass mode" for 2 minutes, then it will switch into "Clock and temperature mode" automatically. (Notes: E-East/S-South/W-West/N-North)



C) Clock and temperature mode

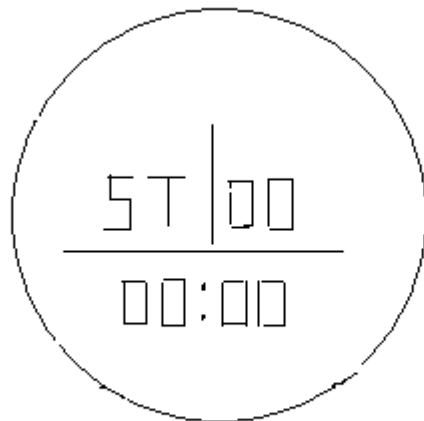
This is a default mode of the device. It will display clock and air temperature in Celsius ($^{\circ}\text{C}$). You can enter into this mode by pressing "MODE" button, or wait 2 minutes after the device switch into this mode automatically. If you want to know the Fahrenheit ($^{\circ}\text{F}$), press the "MODE" button and hold three seconds to enter into the "User mode" (Please look the operation in e))

(Note: TP-Temperature)



D) Stopwatch mode

Under this mode, you can press the "SET" button to start stopwatch, and you can press the "SET" button again to stop stopwatch. Press the "MODE" button to reset. If you want to return to the default mode, press the "MODE" button. The stopwatch can run for an hour.



E) User mode

You can press the "MODE" button and hold two seconds to enter into the mode. Under this mode, you will find the "Time operation mode", "Temperature operation" mode, "Magnetic declination set" mode and "Compass calibration" mode. All the mode will be chosen by the "MODE" button. Under these modes, if you do not press the button in 2 minutes, the device will go back to default Mode.

1. Time operation mode

At first, the "Time operation" mode will be showed, press the "SET" button to start setting. The hour digits will flash, it will be cycled from "0" to "23" if you press "SET" button, and press the "MODE" button to complete setting, then the minutes digits

will flash. The same as setting hour you will complete the minute time setting for your need. In the end, please press the "MODE" button to return.

2. Temperature operation mode

After enter into the mode, press "SET" button to change the display of Celsius (°C) and Fahrenheit (°F). Press "MODE" button to return.

3. Magnetic declination set mode

The LCD will display "CB", it shows to start magnetic declination setting. Please press "SET" button to set the angle of magnetic declination. The display of angle will be cycled from "00" to "20". Press "MODE" Button to return after completely setting.

4. Compass calibration mode

At this mode, please press "SET" button to start calibration. Follow step a)2 and a)3 as in a)

F) EL backlight operation

The EL backlight will be closed if the buttons of device are not pressed in 5 seconds. And you can light pressing the "SET" button and holding for two seconds.

G) Battery replacing

When the device has been used for a long time, the power of battery will be lost, the LCD will display , and you must replace a new battery.

Precautions:

1. The device is not designed as a commercial navigation device
2. Never place the device near magnetic field equipment
3. Keep away your digital compass from much moisture and humidity situation. Avoid direct water exposure.
4. Use your digital compass within temperature range (-5°C to 55°C).
5. Always place your digital compass horizontally when using.
6. Battery should be removed when the device is not in use for a long time.

Accessories:

1. A CR2023 button battery
2. A key chain